

ZAVIO D4210 Full HD IR Mini Dome



- Full HD 1080p
- SONY CMOS sensor
- True day & night with automatic removable IR-cut filter
- Power over Ethernet
- Screwless 3-axis angle adjustment
- IK08 vandal proof



The ZAVIO D4210 is an IR Mini Dome camera, capable of capturing a video image of 1920x1080 resolution at 30 fps. This 2 megapixel camera has a 1/2.8" SONY CMOS sensor, can be expected to deliver higher video performance. ZAVIO D4210 has 12 IR illuminator LEDs that enable the camera to see up 10m in zero light. Besides, this camera can provide dual video streams which are selectable from H.264 and MJPEG video types. Coupled with its small size (115x70mm) , 3-axis mounting mechanism and IK08 vandal-proof, D4210 is designed to allow the camera to be mounted on virtually any flat surface: walls, ceilings. Compatible with ZAVIO's free 64 channels NVR software, free mobile video management app and plug-and-play cloud solution, users can easily setup a surveillance system and 24-7 monitor from mobile devices, PC or laptop without any extra cost.

Related models

Model Name	D4210	D3200
Feature	IR mini dome	Mini dome
	Full HD 1080p	Full HD 1080p
	H.264, MJPEG	H.264, MPEG-4, MJPEG
	ICR + IR 10m	-
	PoE	PoE
	3-axis	3-axis

Features

- Full HD 1080p
- 1/2.8" SONY Exmor CMOS sensor
- H.264 and Motion JPEG compression
- 30 fps at 1920 x 1080
- 3.6mm, F1.8 megapixel fixed lens
- True day & night with automatic removable IR-cut filter
- Two-way audio and built-in microphone
- Screwless 3-axis angle adjustment for easy installation on wall or ceiling
- Tampering detection
- 1 x alarm input, 1 x alarm output
- RTC with built-in battery
- SSL v3 advanced HTTPS encryption
- Full support for Firefox, Safari and Mac OS
- Supports Samba network storage
- Multi-lingual user interface
- ONVIF 2.3 and Profile S compliant
- Free 64 channels ZAVIO CamGraba 2.0 NVR software
- Supports True Plug and Play Cloud Solution

ZAVIO IP Surveillance Solutions

• Free Plug & Play Cloud Solution

You can watch Live Video on your computer or the mobile app on your iOS/ Android device. Setup is as easy as 1-2-3, and it's completely free!

Step 1. Now, go to sat.qlync.com

Step 2. Create your account

Step 3. Add cameras to your account

Please go to zavio.com for a list of Cloud Solution support camera models



• Free 64ch NVR Software

The most professional NVR software you can get for free!



• 4ch/ 8ch Standalone NVR

The easiest way to view, record and playback up to 8 Full HD cameras all in real-time.



• NVR Partners

ZAVIO IP Cameras are supported by a wide range of 3rd party NVR software and devices.

Please go to zavio.com for a list of our partners.

• ONVIF

ONVIF 2.3 & Profile S compliant



Application



1. Retail
2. Home
3. Office

Technical Specifications

Camera	
Models	D4210 Full HD IR mini dome
Image sensor	1/2.8" megapixel CMOS sensor
Lens	F1.8, 3.6mm
Angle of view	81° horizontal
Digital zoom	10x digital
Min illumination	0.05 lux @ F1.8(color) 0.001 lux (b/w) 0 lux (IR LED on)
IR working distance	10m effective range Adjustable brightness via FW
IR LEDs	5φ x 12 pcs (850nm)
Day/Night function	Mechanical IR cut filter
Pan	345°
Tilt	67°
Rotate	345°

Video	
Video compression	Motion JPEG H.264 baseline/main profile/high profile
Resolutions	Motion JPEG: 4 resolutions from 1920 x 1080 to 320 x 240 via API, 4 selections via configuration web page H.264: 4 resolutions from 1920 x 1080 to 320 x 240 via API, 4 selections via configuration web page
Frame rate	Motion JPEG: up to 30 fps at 1920 x 1080 H.264: up to 30 fps at 1920 x 1080
Video streaming	Simultaneous Motion JPEG and H.264 (5 streams) Controllable frame rate and bandwidth Support unicast and multicast Support 3GPP/ ISMA RTSP (Real Time Streaming Protocol)
Image settings	Brightness, contrast, saturationcontrast, saturation WDR enhanced Rotation: mirror, flip, mirror flip Overlay capabilities: time, date, text and privacy image

Audio	
Audio streaming	Two-way (full duplex)
Audio compression	G.711 μ law, a law, AMR
Audio input/output	Built-in microphone, line input and line output

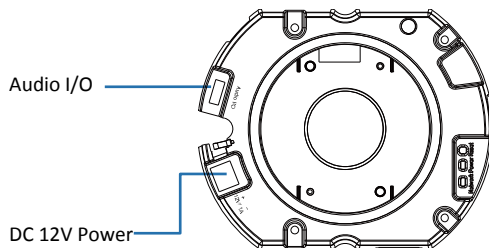
Network	
Security	Multiple user access levels with password protection, HTTPS encryption
Supported protocols	Bonjour, TCP/ IP, DHCP, DNS, DynDNS, PPPoE, ARP, ICMP, FTP, SMTP, NTP, UPnP, RTSP, RTP, RTCP, HTTP, HTTPS, SSL, TCP, UDP, 3GPP/ ISMA
Users	5 simultaneous users Unlimited number of users using multicast

Alarm and Event Support	
Alarm input/output	Alarm input 12V DC
Alarm and event management	Input: alarm buffer, motion detection Output: network storage, FTP, SMTP, pre-and post alarm buffer

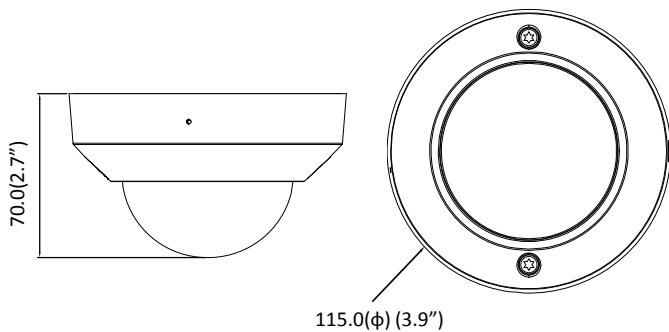
System	
Connectors	RJ-45 Ethernet 10/ 100 Base-T Reset button 2pin terminal block for DC power 6pin cable for 1 alarm input, 1 output, 1 audio line in, 1 audio line out
Local storage	MicroSD Card slot
Software integration	ONVIF 2.3 & Profile S
Video management software	IP Installer & video management software- ZAVIO CamGraba for viewing, recording and archiving up to 64 cameras

General	
Casing	IK08 vandal proof aluminum casing
Power	DC 12V or PoE IEEE 802.3af class 1 Power consumption: max 4.8W PoE power consumption: max 4.19W
Operating conditions	0 ~ 50 °C (32 ~ 122 °F)
Installation, management, and maintenance	ZAVIO camera management tool on CD and web-based configuration. Configuration of backup and restore firmware upgrades over HTTP, firmware available at www.zavio.com
Minimum web browsing requirement	Pentium 4 2.8GHz (or equivalent AMD) 256MB RAM graphic cards (or equivalent on-board graphic cards) 1G RAM Window 2000, 2003, XP, Vista or Windows 7 Mac OS Leopard 10.5 or later
Dimensions (HxWxD)	70.0 x 115.0(φ)mm (2.7" x 3.9")
Weight	295g (0.65lb) excl. power supply
Included accessories	Quick installation guide, CD (IP Surveillance Software, Intelligent IP Installer, user manual, and language packs), mounting and connector kits
Certification	CE, FCC, RoHS

Part Names and Functions



Dimensions



Unit: mm (inches)
Unit: mm (inches)

